

Technical data sheet



Product features

Lava stone grill gas 2 cooking areas 2x 52x36 on open cabinet

Model	SAP Code	00110079
--------------	-----------------	----------



- Griddle dimensions [mm x mm]: 520 x 380
- Container for liquid fat: Yes
- Ignition: Piezo + večný plamen

SAP Code	00110079	Net Weight [kg]	69.00
Net Width [mm]	800	Power gas [kW]	13.000
Net Depth [mm]	700	Type of gas	Natural gas, propane butane
Net Height [mm]	1004	Griddle dimensions [mm x mm]	520 x 380

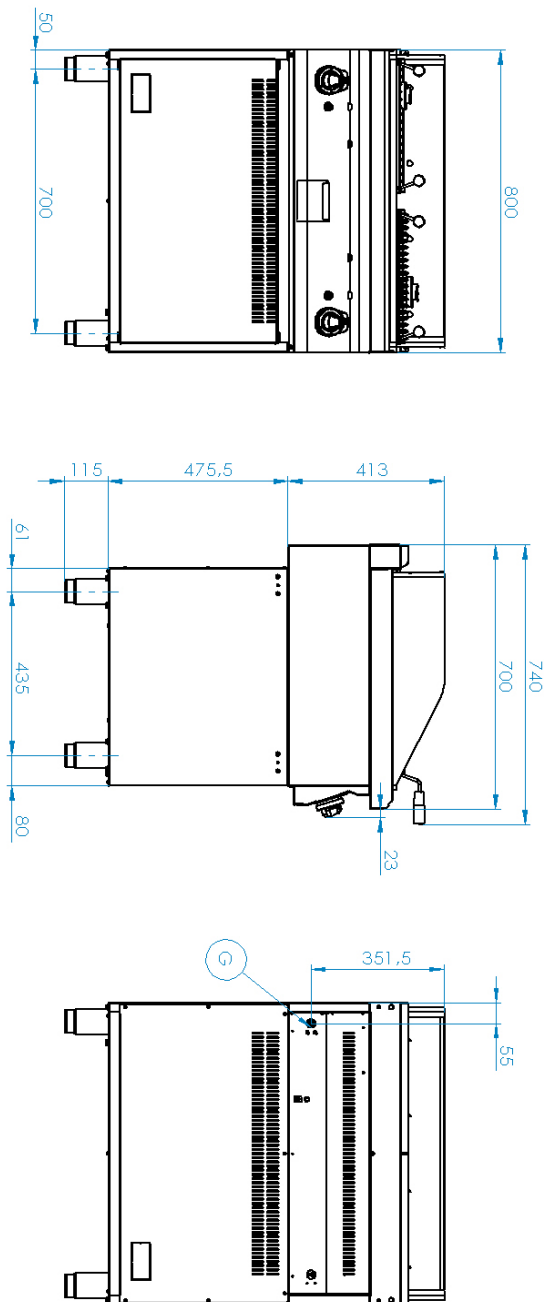
Technical data sheet



Technical drawing

Lava stone grill gas 2 cooking areas 2x 52x36 on open cabinet

Model	SAP Code	00110079
--------------	-----------------	----------



Technical data sheet



Product benefits

Lava stone grill gas 2 cooking areas 2x 52x36 on open cabinet

Model

SAP Code

00110079

1

All-stainless design

long life
corrosion resistance of the top plate material

- savings on service interventions
- easier and faster operation

2

Degree of protection of the control elements IPX4

maintenance-free system
resistance to splash water
long life

- savings on service interventions
- easy cleaning and maintenance of equipment

3

Outlet for waste liquids

ensures that oil drips into the socket

- easy maintenance
- easy cleaning

4

High detachable hem

better hygienic conditions
preventing grease from splashing onto ancillary equipment

- easy maintenance
- easy cleaning

5

Safety element - thermocouple

safe operation for personnel
there is no overheating and damage to the thallus
long life

- savings on service interventions
- easier and faster operation

Technical data sheet



Technical parameters

Lava stone grill gas 2 cooking areas 2x 52x36 on open cabinet

Model	SAP Code	00110079
--------------	-----------------	----------

1. SAP Code:

00110079

2. Net Width [mm]:

800

3. Net Depth [mm]:

700

4. Net Height [mm]:

1004

5. Net Weight [kg]:

69.00

6. Gross Width [mm]:

860

7. Gross depth [mm]:

820

8. Gross Height [mm]:

1182

9. Gross Weight [kg]:

83.00

10. Device type:

Gas unit

11. Construction type of device:

With substructure

12. Power gas [kW]:

13.000

13. Ignition:

Piezo + večný plamen

14. Type of gas:

Natural gas, propane butane

15. Protection of controls:

IPX4

16. Material:

Stainless steel

17. Griddle dimensions [mm x mm]:

520 x 380

18. Container for liquid fat:

Yes

19. Connection to a ball valve:

1/2